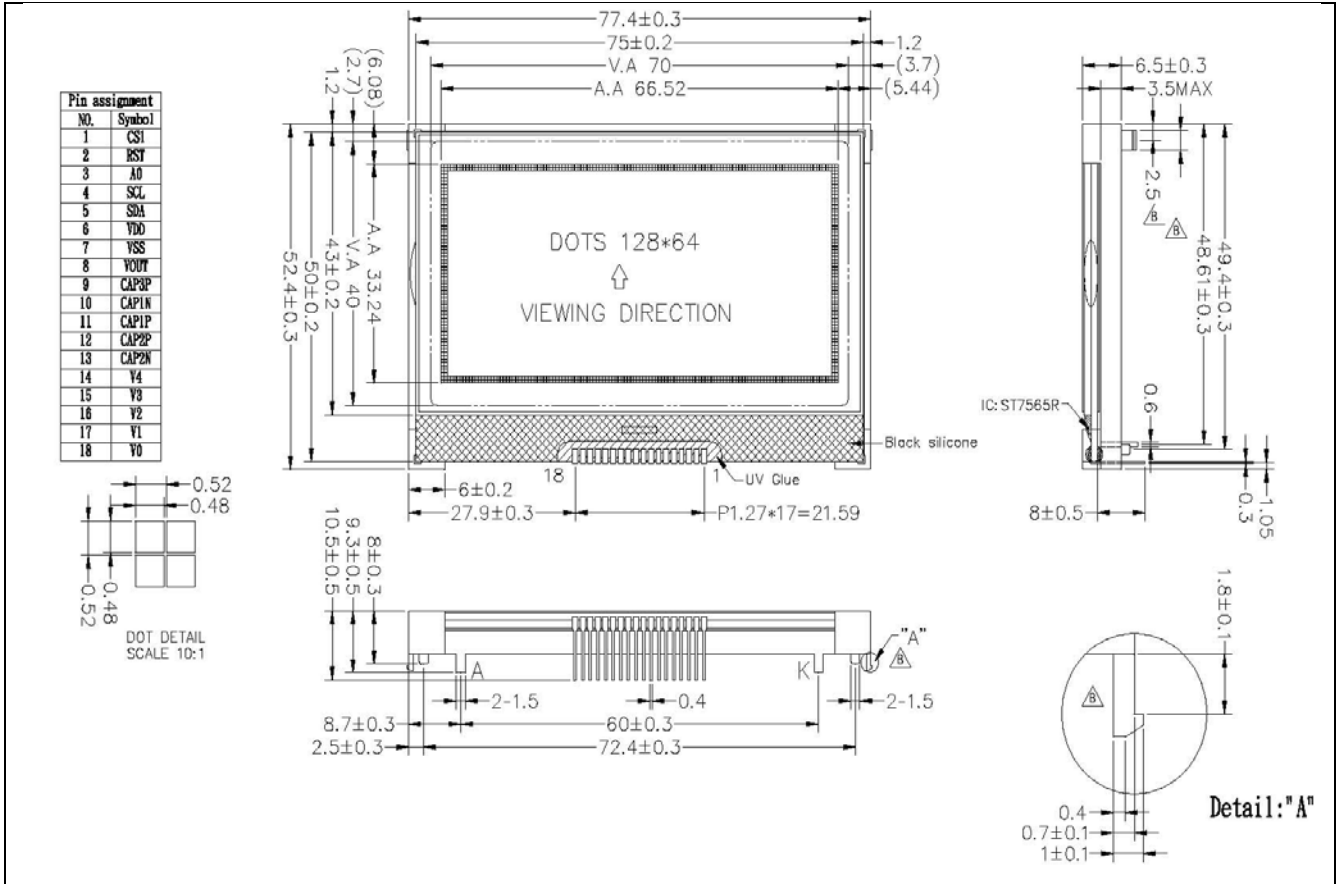


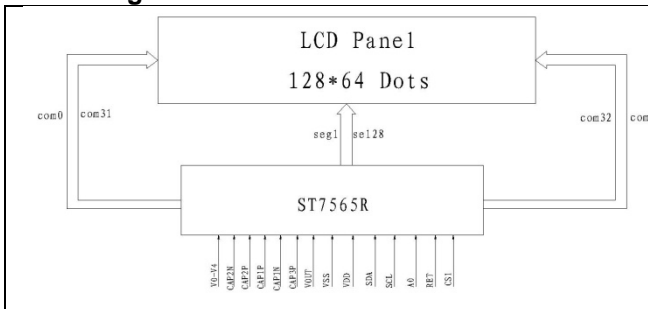
General Description

- * 128 x 64 dots
- * View Angle Bottom view (6 o'clock)
- * 1/64 duty, 1/9 bias
- * LED backlight (white)
- * Transflective
- * STN (yellow-green)
- * Controller ST7565R or compatible
- * Operating temp 0 °C to +50°C

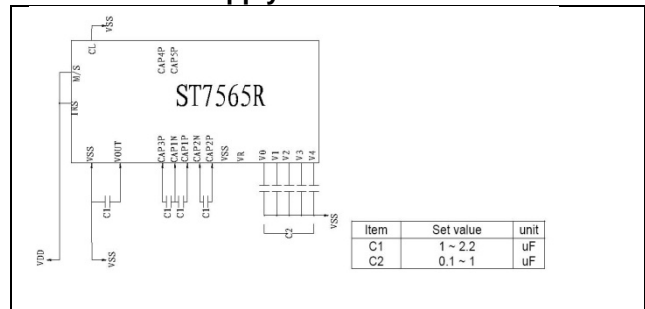
Outline Dimensions



Block Diagram



Power Supply



Mechanical Specification

Item	Description (mm)
Size	77.4x52.4x6.5
VA	70.0x40.0
Dot pitch	0.52x0.52
Dot size	0.48x0.48

Electrical Specification

Item	Symbol	Min	Typ	Max	Unit
Supply voltage for logic	VDD	2.7	3.0	3.3	V
Supply voltage for LCD	VLCD	8.7	9.0	9.3	V
Supply current for logic	IDD		0.7	2.0	mA
Supply current for LED	IF		75	100	mA

Interface

Pin No	1	2	3	4	5	6	7	8	9	10	11	12	13	14	15	16	17	18
Symbol	CS1	RET	A0	SCL	SDA	VDD	VSS	VOU	CAP3+	CAP1-	CAP1+	CAP2+	CAP2-	V4	V3	V2	V1	VO