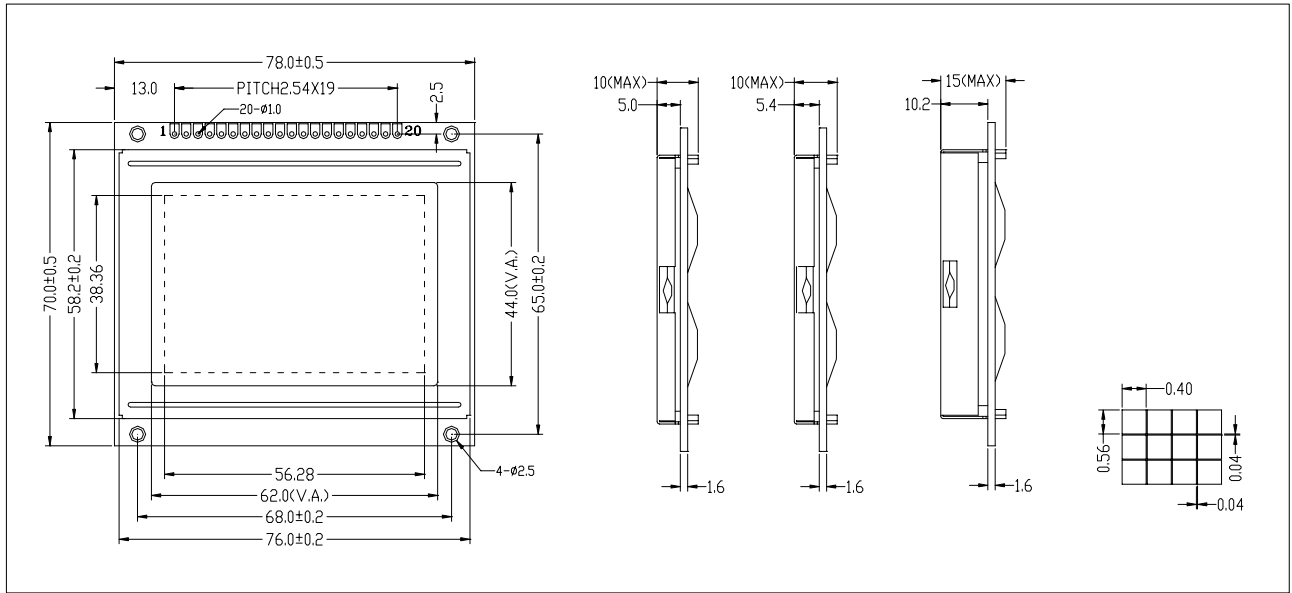


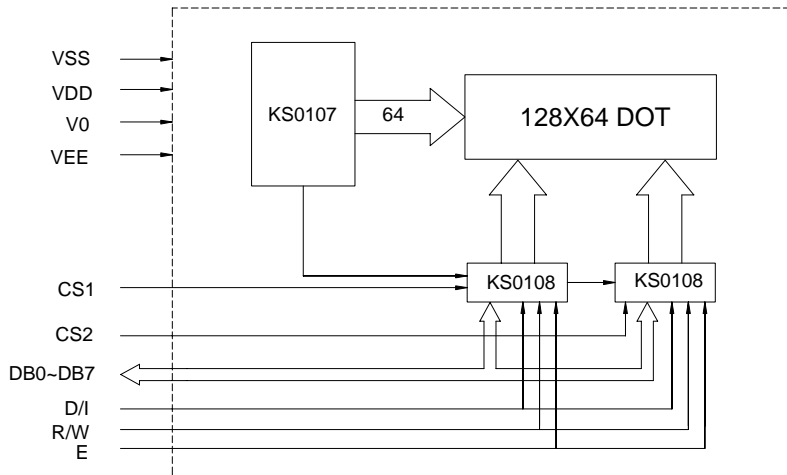
- * 128 x 64 Dots
- * View Angle (6:00)
- * 1/64 Duty, 1/9 Bias
- * LED Backlight (Yellow green / White)

- * Transflective / Transmissive
- * STN (Yellow green / Blue)
- * Controller/Driver (S6B0107)
- * Operating Temp (0°C~50°C)

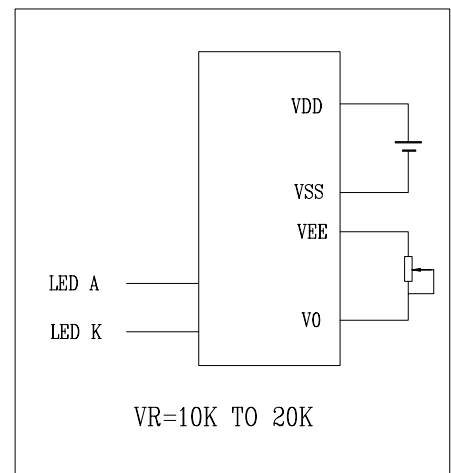
External Dimensions



Block Diagram



Power Supply



Mechanical Specifications

Electrical Specifications

Item	Description(mm)	Item	Symbol	Min	Typ	Max	Unit
Size	78(L)x70(W)x15.0(H)	Supply Voltage for Logic	VDD	4.5	5.0	5.5	V
V.A	62.0(L)x44.0(W)	Supply Voltage for LCD	VLCD	10.0	10.5	11.0	V
Dot Pitch	0.44x0.60	Supply Current for Logic	IDD		1.0	3.0	mA
Dot Size	0.40x0.56	Supply Current for Backlight	IF			300	mA

Interface Signals

Pin	Symbol	Level	Description	Pin	Symbol	Level	Description
1	CS1	H	Chip Selection for IC1	7	R/W	H/L	H: Data Read L: Data Write
2	CS2	H	Chip Selection for IC2	8	E	H,H-L	Enable Signal
3	VSS	0V	Ground	9~16	DB0~DB7	H/L	Data Bus Line
4	VDD	+5V	Supply Voltage for Logic	17	RST	L	Reset
5	V0	--	Operating Voltage for LCD	18	VEE	--	Negative Voltage Output
6	D/I	H/L	H: Data Input L: Instruction Code Input	19~20	LED	--	A:+5V K:0V