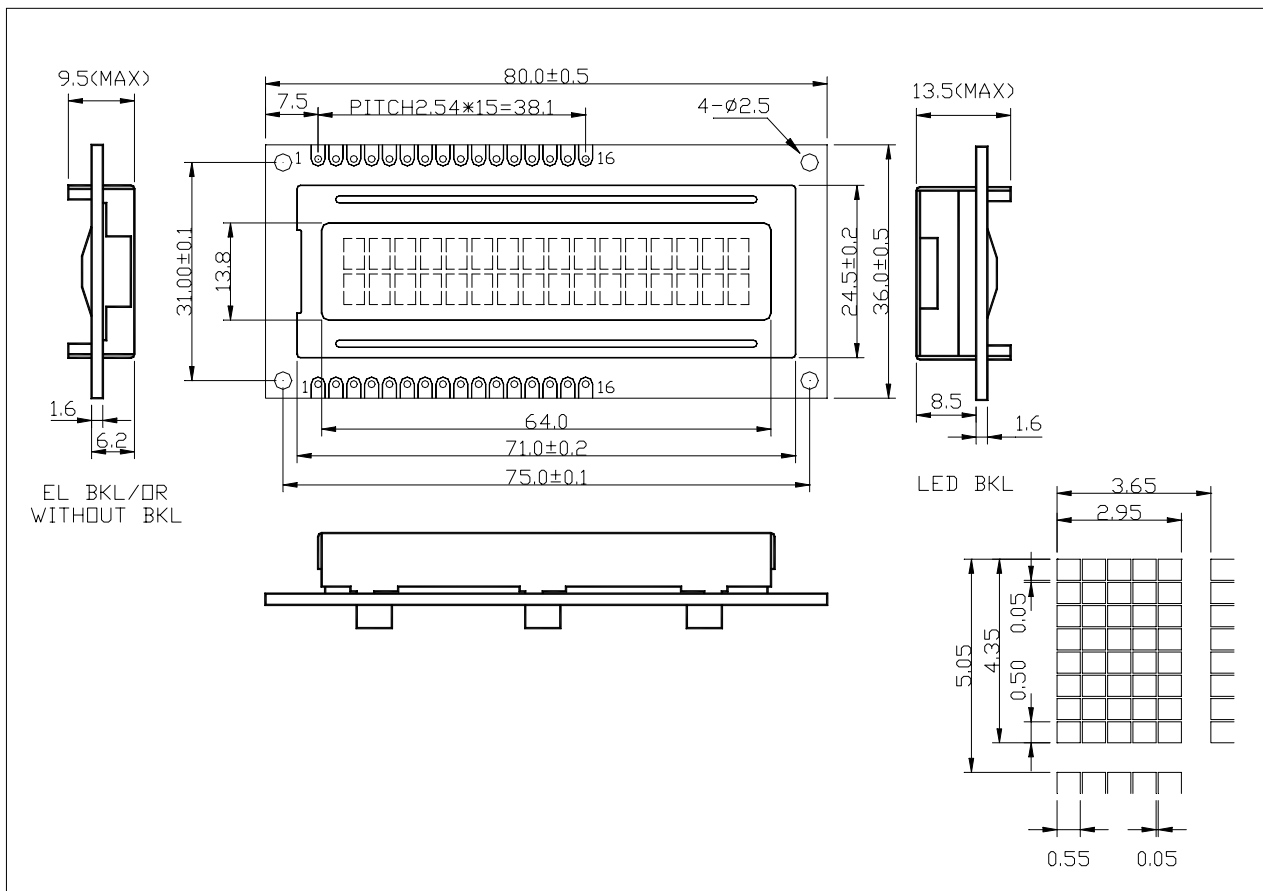
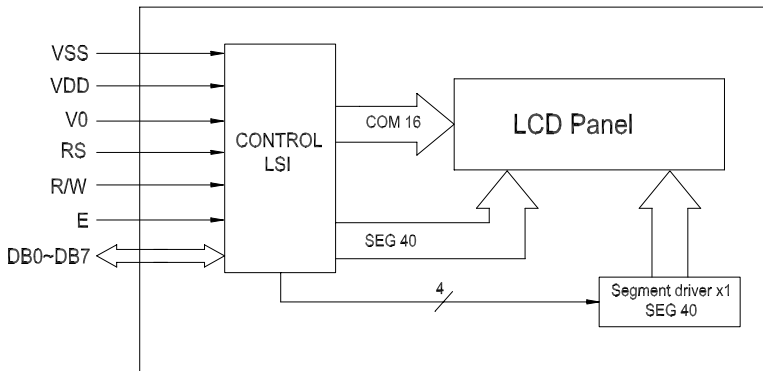


, "7"z": "y kj 'Ewtuqt 'F qw"....., "Vtcpuhrvkgg" "
 , "Xlgy 'Cpi ng"8-22+"..... "....., "UVP "h' gmgy 'i tggp+".....
 , "3B8'F wq'."3I7'Dku."38EJ CT'z"4NKG"....., "..... Eqv'qmgf lF tkxgt"U8C228;" "
 , "NGF 'Dcemki j v'h' gmgy 'i tggp+"..... "..... "....., "Qr gtcv'pi "Vgo r"2 72 "+

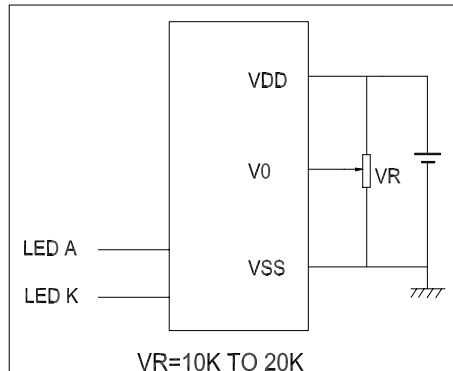
External Dimensions



Block Diagram



Power Supply



O gej cplecn'Ur gelhecv'kpu'.....G'gevt lecn' Ur gelhecv'kpu'

Kgo "	F' gvet lr v'kpu' *o +"	"	Kgo "	U' o dqn	O lp	V' r'	O cz	Wplv
Uk' g"	: 2*Nz58*Y +z350*J +"	"	Uwr r n' "Xqnci g'hqt'Nqi ke	XFF"	60"/70"/70"			X"
XIC"	860'z350 *Y +"	"	Uwr r n' "Xqnci g'hqt'NEF"	XNEF"	60"/60"/70"			X"
Ej ctcevt'Rkej"	5087, 7027"	"	Uwr r n' "Ewtg'pvhqt'Nqi ke	K'F"		30"	40"	o C"
Fqv'Uk' g"	204, 3082"	"	Uwr r n' "Ewtg'pvhqt'NGF"	KI"			: 2"	o C"

kpvg'lræg'Uk' pcn'////'L3'

Rlp'	U' o dqn'	Ngxgrl'	F' gvet lr v'kpu' "	Rlp'	U' o dqn'	Ngxgrl'	F' gvet lr v'kpu' "
3"X	UU"	2X"	I tqwpl'	9736	FD27FD9	J IN"	F' cvc"Dwa'Nkpg"
4"X	FF"	- 7X"	Uwr r n' "Xqnci g'hqt'Nqi ke"	37"	C"	///"	Dcem'Nki j v'cpqf g<= 60X"
5"	X2"	///"	Qr gtcv'pi "Xqnci g'hqt'NEF"	38"	M"	///"	Dcem'Nki j v'ecj qf g<2X
6"TIU"		J IN'J <	F' cvc"		"	"	"
"		"	N<Koutwev'kpu'E'qf g"		"	"	"
7"	TIY "	J IN"	J <F' cvc'T'gcf "N<F' cvc'Y tkg		"	"	"
8"G'		J .J /N"	Gpcdng'Uk' pcn'		"	"	"